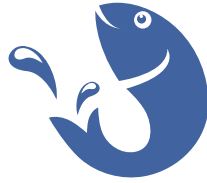
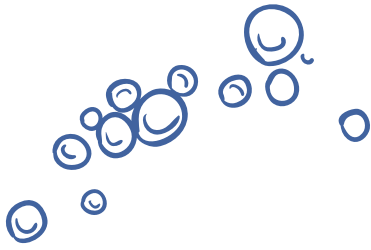


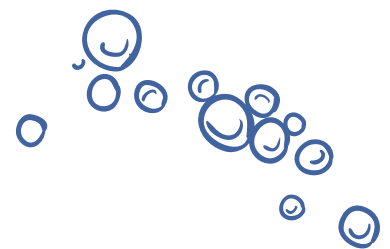
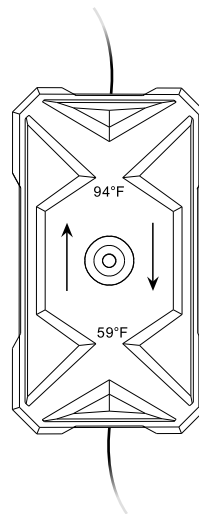
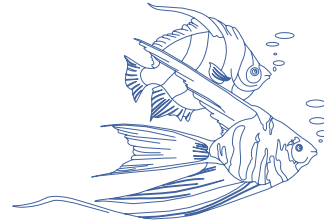
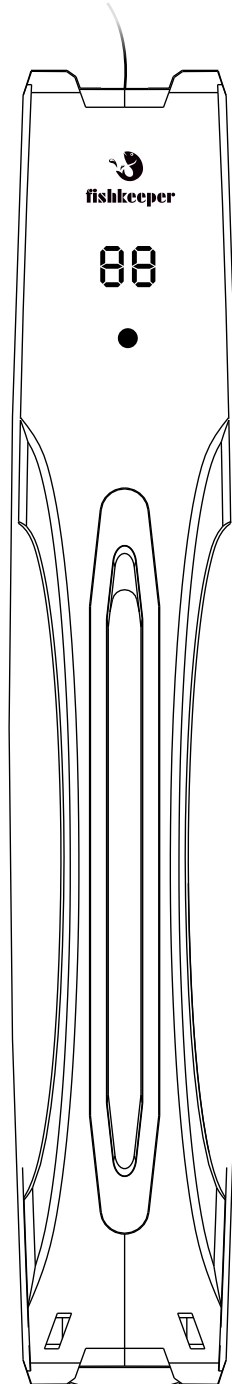
**fishkeeper**



**fishkeeper**

# **SUBMERSIBLE AQUARIUM HEATER**

## **FK016 Aquarium Heater User Manual**



### **Introduction**

Thank you for choosing the fishkeeper Aquarium Heater. For a complete understanding of the operation and capabilities of the heaters, please read and follow these instructions for proper installation, maintenance and use.

If the product you got is not suitable or damaged, please don't hesitate to contact us immediately (Customer Service E-mail: [Service@fish-keeper.com](mailto:Service@fish-keeper.com))

## IMPORTANT SAFETY INSTRUCTIONS

**⚠ WARNING: Before working with or installing heater, be sure to read and understand all safety instructions and precautions.**

1. Please use it under the specified voltage conditions, otherwise the product will be easily damaged.
2. The aquarium heater must be completely submerged in water.
3. Please don't use wet hand to install and maintain this heater to avoid electric shock. Temperature control box is not waterproof, please place it in a dry place. If its accidentally fall into water, please unplug the power immediately and dry it out with blow dryer before use.
4. Please do not place the heater in salt water and other corrosive water, also do not pour any chemical agent into the aquarium which is equipped with the heater.
5. DANGER – To avoid possible electric shock, special care should be taken since water is employed in the use of aquarium equipment. For each of the following situations, do not attempt repairs yourself; return the appliance to an authorized service facility for service or discard the appliance.
  - A. If the appliance shows any sign of abnormal water leakage, immediately unplug it from the power source.
  - B. Carefully examine the appliance after installation. It should not be plugged in if there is water on parts not intended to be wet. Prior to installation, carefully check and make sure the glass tube is not fractured.
  - C. Do not operate any appliance if it has a damaged cord or plug, if it is malfunctioning or it is dropped or damaged in any manner. The power cord of this appliance cannot be replaced; if the cord is damaged, the appliance should be discarded. Never cut the cord.

6. This appliance is not intended for use by persons (including children) with reduced physical, sensory or mental capabilities, or lack of experience and knowledge, unless they have been given supervision or instruction concerning use of the appliance by a person responsible for their safety. Children should be supervised to ensure that they do not play with the appliance.
7. To avoid injury, do not touch hot parts.
8. CAUTION: Always unplug or disconnect all appliances in the aquarium from electricity supply before carrying out maintenance.
9. Before inserting or removing the heater from the water, always pull out the mains electricity plug and do not pull the equipment out of the water until it has been allowed to cool for at least 10 minutes.
10. Never yank cord to pull plug from outlet. Grasp the plug and pull to disconnect. Always unplug an appliance from an outlet when not in use.
11. This is an aquarium heater. Do not use an appliance for other than intended use (i.e.: don't use this heater on swimming pools, garden ponds, bathrooms, etc.). The use of attachments not recommended or sold by the appliance manufacturer may cause a dangerous situation.
12. This heater is suitable for INDOOR use only. Do not install or store the appliance where it will be exposed to the weather or to temperatures below freezing.
13. If an extension cord is necessary, a cord with proper rating should be used. A cord rated for less amperes or watts than the appliance rating may overheat. Care should be taken to arrange the cord so that it will not be tripped over or pulled.
14. SAVE THESE INSTRUCTIONS

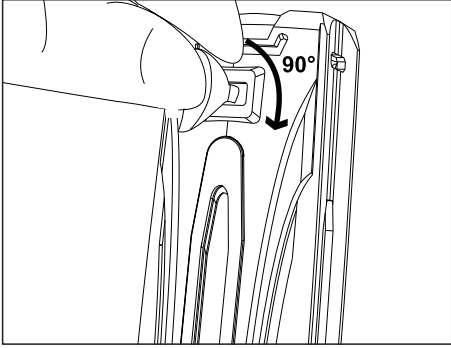
## APPLIANCE SPECIFICATION

MODEL	FK016		
Power	300W	500W	800W
Volt/Freq	AC 110-120V/60Hz		
Recommended Aquarium Size	40-80 Gal	65-120 Gal	80-220 Gal
Temp Accuracy	±1 °F		
Temperature adjustable range	59°F-94°F		
Heating Rod Dimension	11.6"		
Cord Length	5.9FT + 4FT		

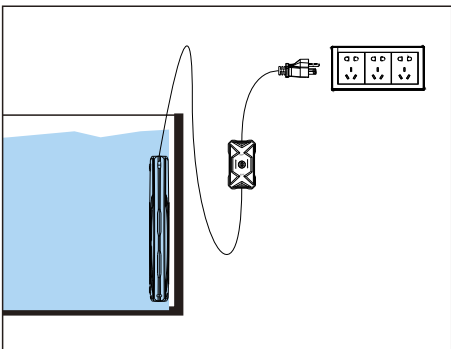
## PACKAGE INCLUDED

- 1 × Aquarium heater
- 4 × Powerful suction cups
- 1 × User manual

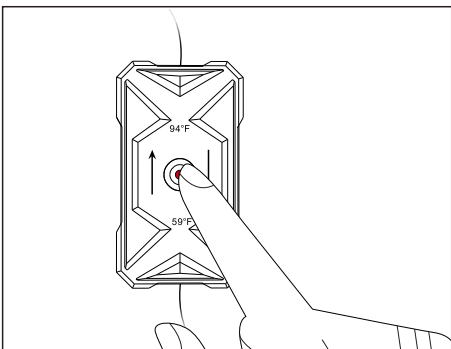
# INSTALLATION



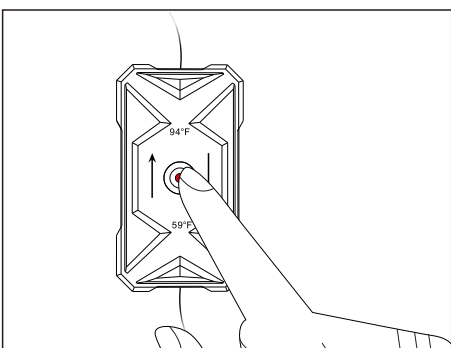
**Step 1:**  
Attach suction cups, place the heater in the aquarium and press suction cups firmly against glass, to adhere to the aquarium wall.



**Step 2: Plug in power**  
**Blue light flashing:** means that is setting the preset temperature  
**Red light on:** means is heating, and LED digital number display the current water temperature



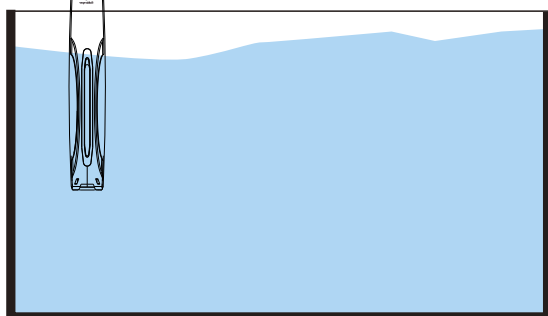
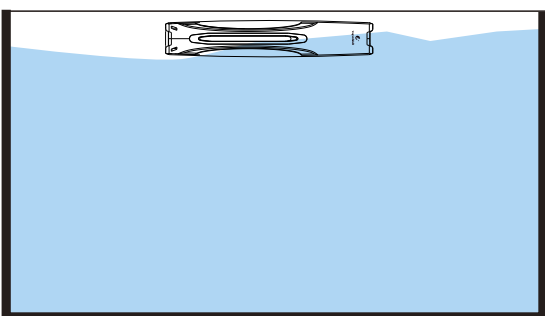
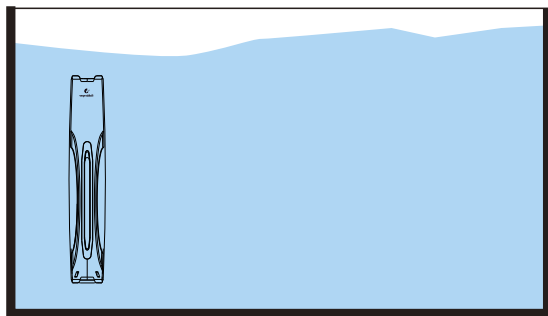
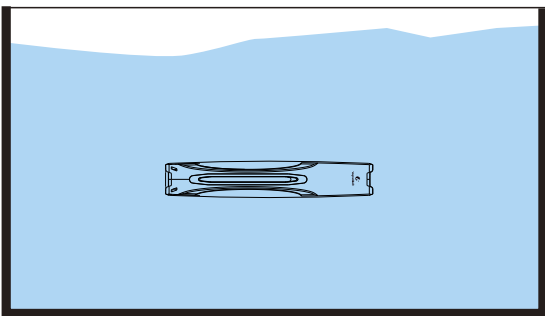
**Step 3:**  
Press and hold the red button on the controller for 5 seconds to switch the temperature unit °F/°C (Temp control range: 59°F~94°F / 15°C~34°C).



**Step 4:**  
Set heater temperature: press the red button over and over until reaching your desired temperature value.  
After setting, the red light is on, and the LED shows the current water temperature again and begins to heat.

## INSTALLATION PRECAUTIONS

1. Before plugging in the power source, the aquarium heater has to be completely submerged in the water to work properly.
2. Please check whether this product uses a matching power grid voltage (110V-120V/60Hz)
3. When changing the water for the fish tank, you need to unplug the power switch.
4. To ensure even and thorough distribution of warmed water and to provide an accurate temperature reading, it recommends that place the heater where the unit is unobstructed, and where there is a free flow of water, such as close to a filter or pumps water output.
5. Turn off the power supply and let the heating rod cool down in the water tank for at least 10 minutes if you want to remove the heater.
6. Please do not place the heater in salt water and other corrosive water, also do not pour any chemical agent into the aquarium which is equipped with the heater.
7. Do not bury it under gravel as gravel not conduct heat.



# INTELLIGENT ERROR MESSAGES

The advanced fishkeeper Heater microprocessor detects and displays some abnormal or nonoptimal usage conditions, which require verification and proper action by the owner. The possible error codes are the following:



**L1**

**The heater is exposed to air**

Place the heating rods completely immersed in water



**HH**

**HIGH Temperature Warning**

Higher than 94°F

Once the water temperature exceeds 94°F, the heater will automatically stop heating, the blue light will be on and LED display "HH" and flash warning. When the temperature cools down below the preset temperature value, the heater will automatically resume heating.



**LL**

**LOW Temperature Warning**

Low than 59°F

Once the water temperature is below 59°F, the heater will heat quickly and the LED will display "LL" and flash warning until the water temperature is higher than 59°F.



**EE**

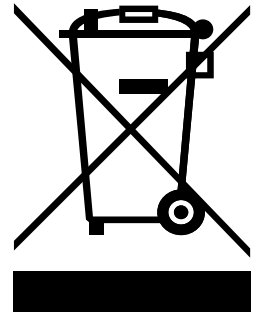
**Temperature Sensor Failure**

The heater has gone into error status and has removed power from the heating element. This error status can only be reset by unplugging the unit. If it still doesn't work, please contact us immediately.



## RECYCLING

Do not dispose this product as unsorted municipal waste. Collection of such waste separately for special treatment is necessary. This product must not be disposed together with domestic waste. The product has to be disposed at an authorized place for recycling waste, you help save natural resources, and make sure the product is disposed in an environmentally friendly and healthy way.



## CUSTOMER SERVICE

We aim to provide high quality products and perfect service to our customers, if you have any concerns or problems, please do not hesitate to contact us and we will do our best to help you.

## CONTACT US

Brand owner: A&B Holdings (Shen Zhen) Co.,Ltd

Website: [www.fish-keeper.com](http://www.fish-keeper.com)

E-mail: [Service@fish-keeper.com](mailto:Service@fish-keeper.com)